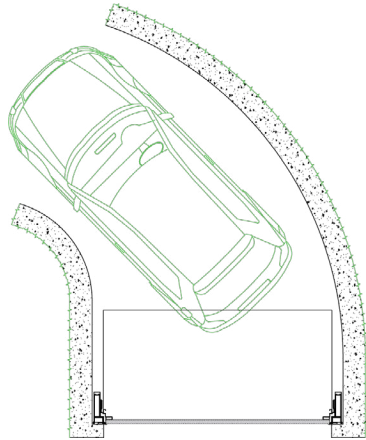


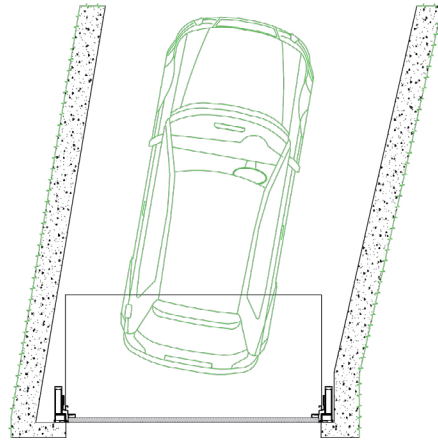


# TECHNICAL SECTION

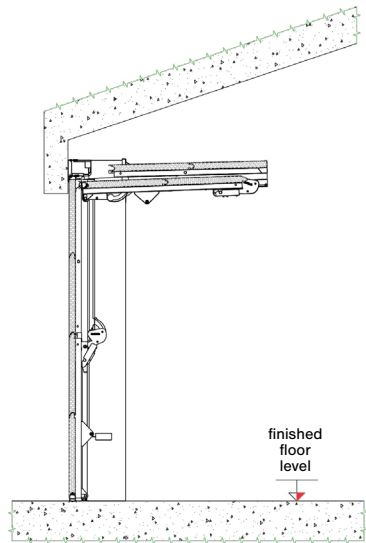
# OVERLAP SOLUTIONS



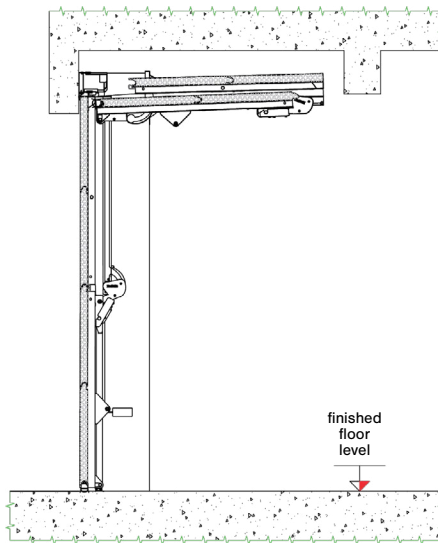
Garage with curved side walls



Garage with oblique side walls



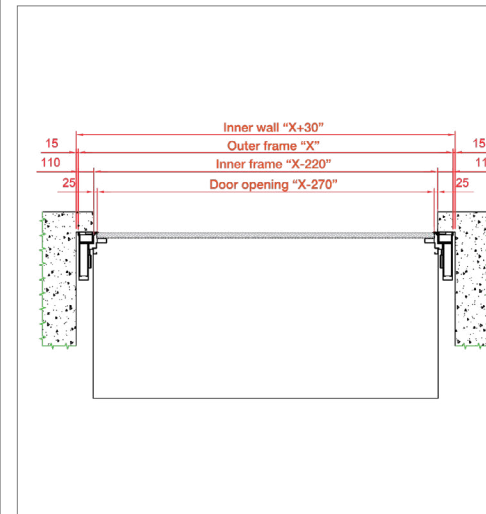
Garage with slanted ceiling



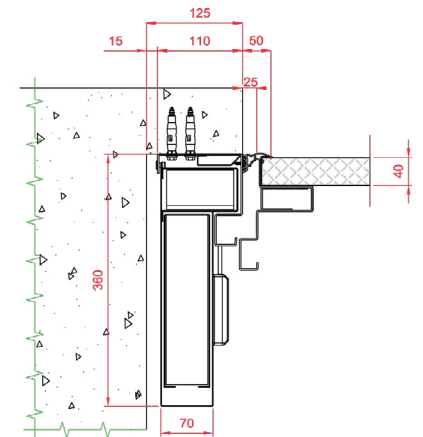
Garage with slanted ceiling

# BEHIND WALL INSTALLATION

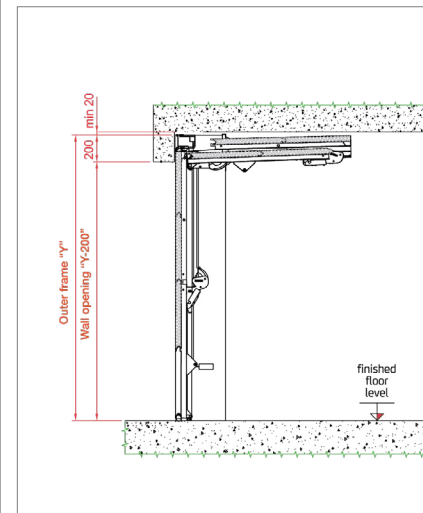
Horizontal section - general



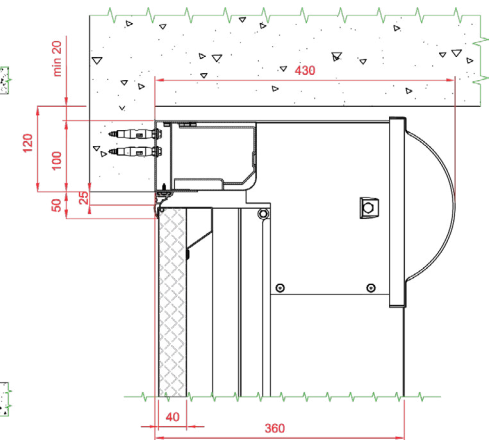
Horizontal section - detail



Vertical section - general



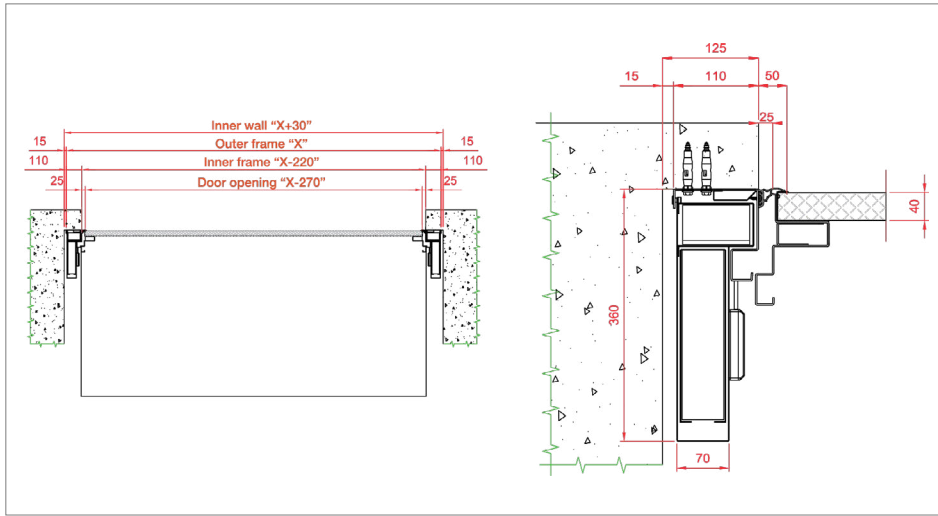
Vertical section - detail



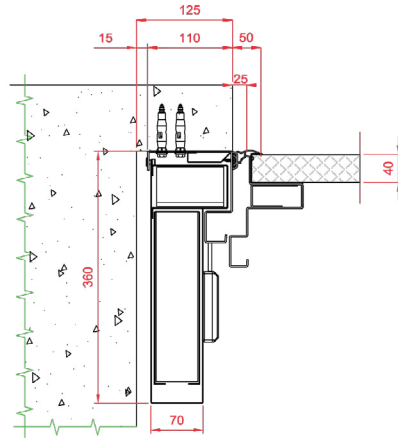
# BETWEEN WALL INSTALLATION, DOORS SECTORS A-B-C-D

(WITHOUT TUBULARS)

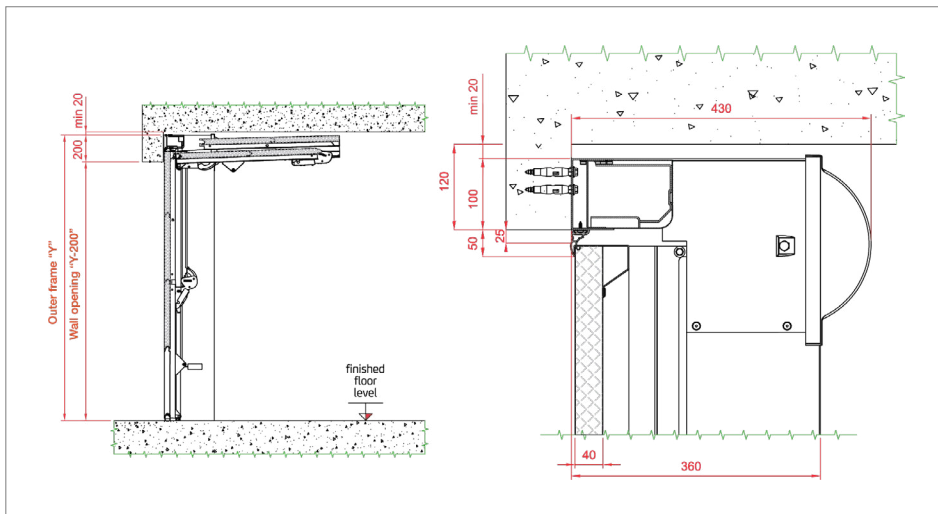
Horizontal section - general



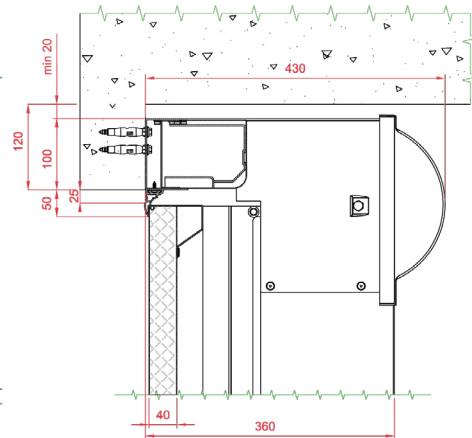
Horizontal section - detail



Vertical section - general

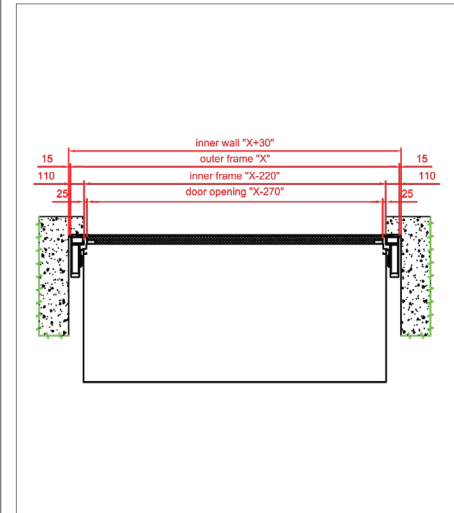


Vertical section - detail

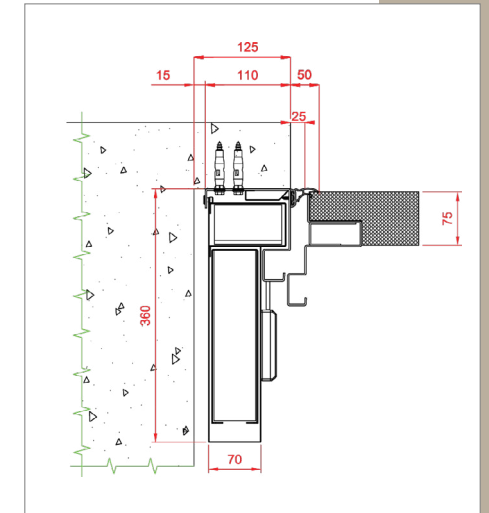


# PLANA 75 MM DETAILS

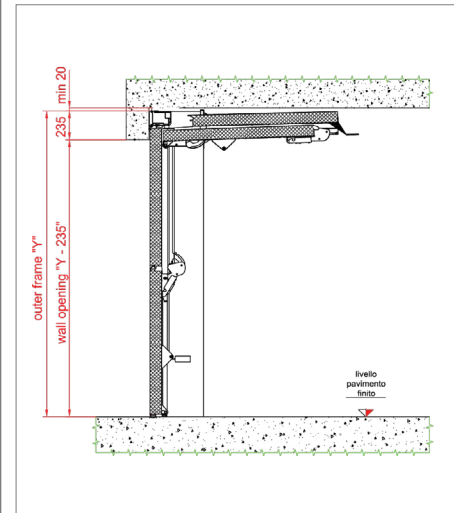
Horizontal section - general



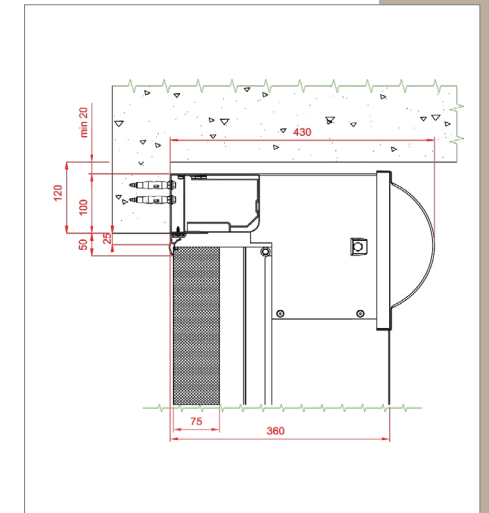
Horizontal section - detail



Vertical section - general



Vertical section - detail

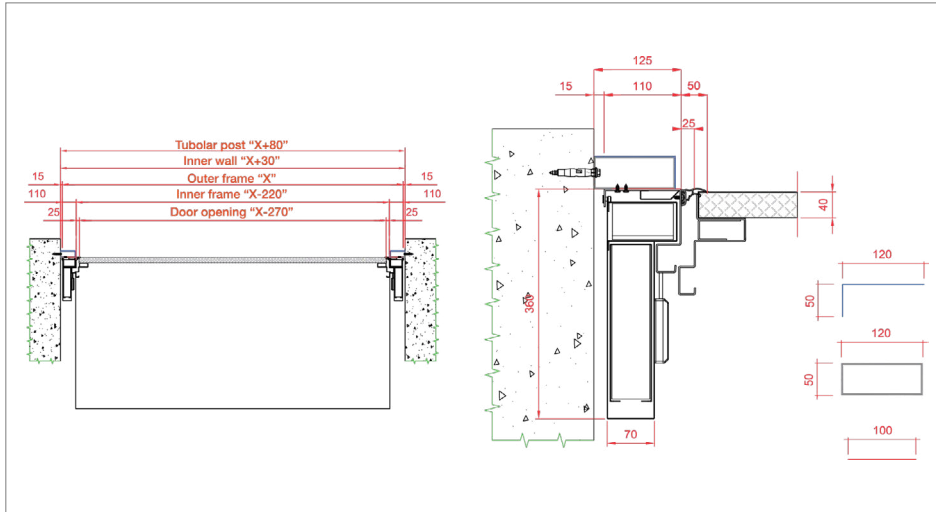


IT'S SHOWN ONLY BEHIND WALL INSTALLATION AS AN EXAMPLE

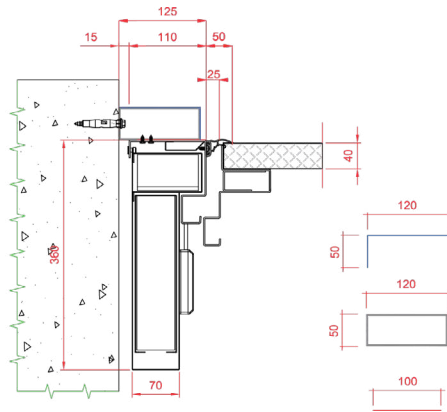
# BETWEEN WALL INSTALLATION, DOORS SECTORS E F G H I

(WITHOUT TUBULARS)

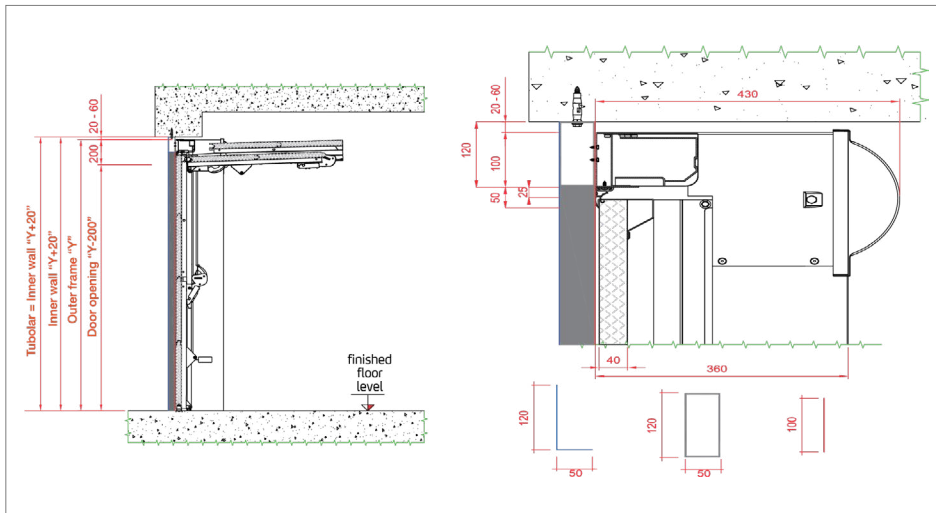
Horizontal section - general



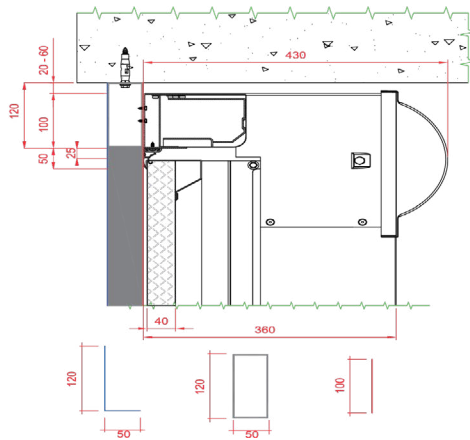
Horizontal section - detail



Vertical section - general



Vertical section - detail



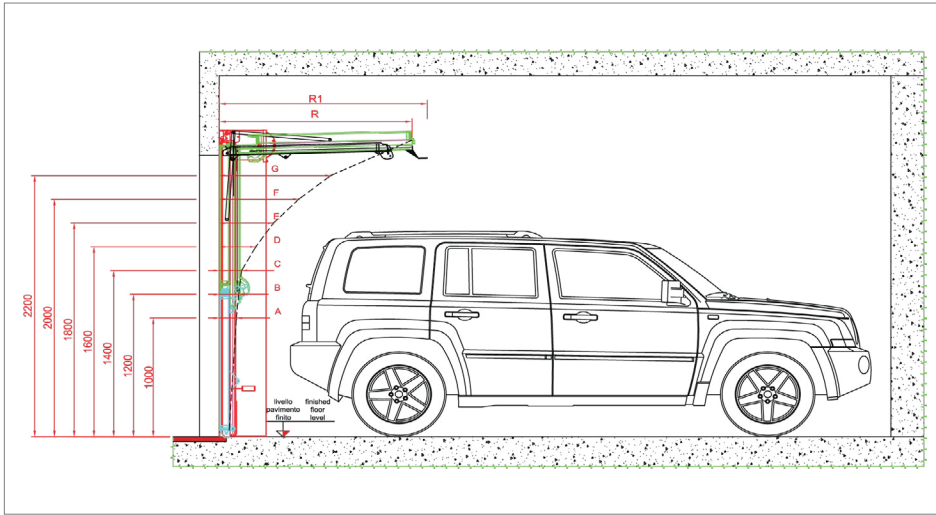
Encumbrances OVERLAP Classic Box model measures in mm

OVER ALL FRAME	DOOR OPENING	R	R1
2130	1930	1270	1350
2180	1980	1320	1400
2230	2030	1370	1450
2280	2080	1370	1450
2330	2130	1370	1450
2380	2180	1420	1500
2430	2230	1420	1500
2480	2280	1445	1525
2530	2330	1470	1550
2580	2380	1495	1575
2630	2430	1520	1600
2680	2480	1545	1625
2730	2530	1570	1650
2780	2580	1845	1925
2830	2630	1895	1975
2880	2680	1895	1975
2930	2730	1920	2000
2980	2780	1945	2025

Encumbrances OVERLAP New Plana 40mm measures in mm

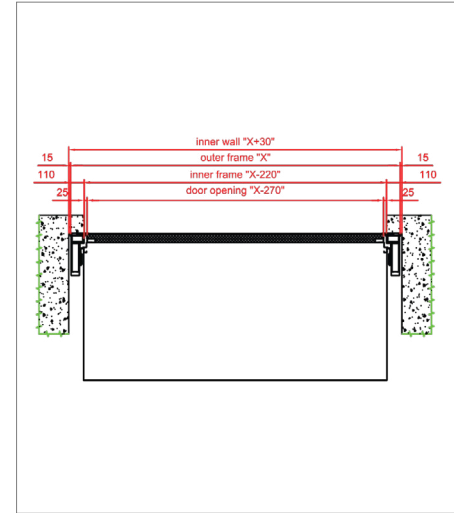
OVER ALL FRAME	DOOR OPENING	R	R1
2130	1930	1270	1350
2180	1980	1320	1400
2230	2030	1370	1450
2280	2080	1370	1450
2330	2130	1370	1450
2380	2180	1420	1500
2430	2230	1420	1500
2480	2280	1445	1525
2530	2330	1470	1550
2580	2380	1495	1575
2630	2430	1520	1600
2680	2480	1545	1625
2730	2530	1570	1650
2780	2580	1695	1675
2830	2630	1745	1700
2880	2680	1795	1725
2930	2730	1845	1750
2980	2780	1895	1775

# PLANA 75 MM DETAILS

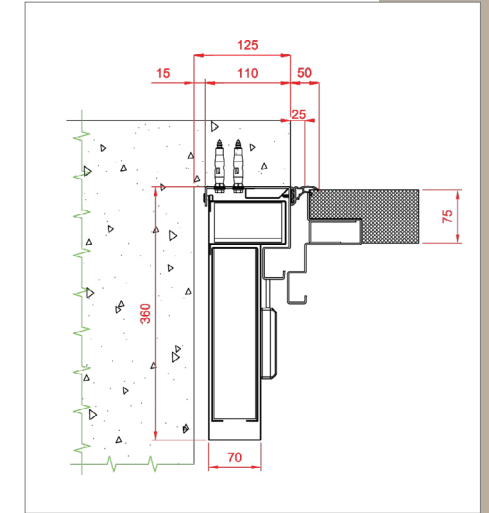


OVER ALL FRAME	DOOR OPENING	A	B	C	D	E	F	G	R	R1
		1000	1200	1400	1600	1800	2000	2200		
2130	1910	184	229	354	522	760	/	/	1270	1350
2180	1960	182	221	335	495	720	/	/	1320	1400
2230	2010	180	212	316	467	681	/	/	1370	1450
2280	2060	177	204	296	440	641	/	/	1370	1450
2330	2110	175	195	277	412	601	811	/	1370	1450
2380	2160	173	193	262	392	571	776	/	1420	1500
2430	2210	172	190	248	373	540	741	/	1420	1500
2480	2260	170	188	233	353	510	705	/	1445	1525
2530	2310	168	185	218	333	479	670	931	1470	1550
2580	2360	166	183	205	313	447	638	882	1495	1575
2630	2410	165	182	203	307	440	625	855	1520	1600
2680	2460	164	181	201	302	434	612	828	1545	1625
2730	2510	163	179	200	297	429	599	801	1570	1650
2780	2560	162	178	198	292	423	586	774	1595	1675
2830	2610	162	177	197	288	418	574	761	1620	1700
2880	2660	161	176	195	284	412	562	749	1645	1725
2930	2710	161	175	194	280	407	549	736	1670	1750
2980	2760	160	174	192	276	401	537	723	1695	1775

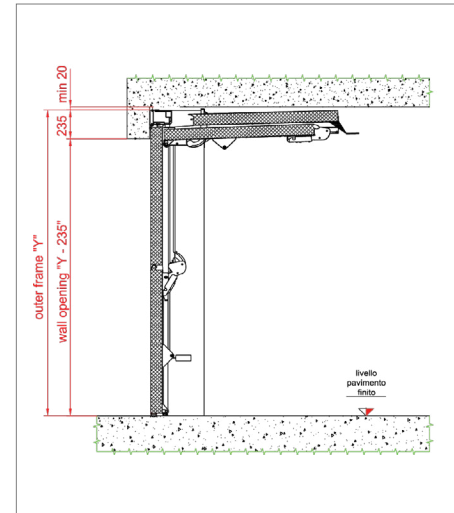
Horizontal section - general



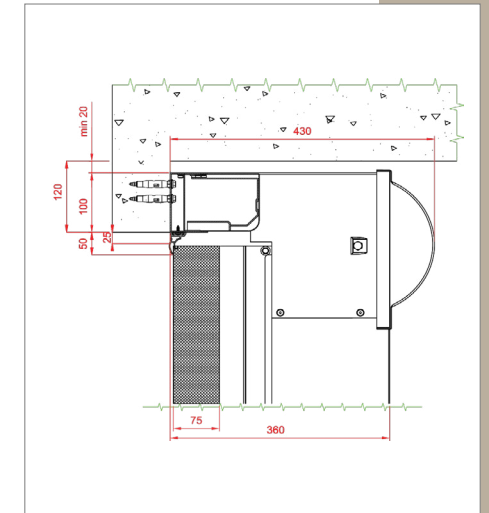
Horizontal section - detail



Vertical section - general



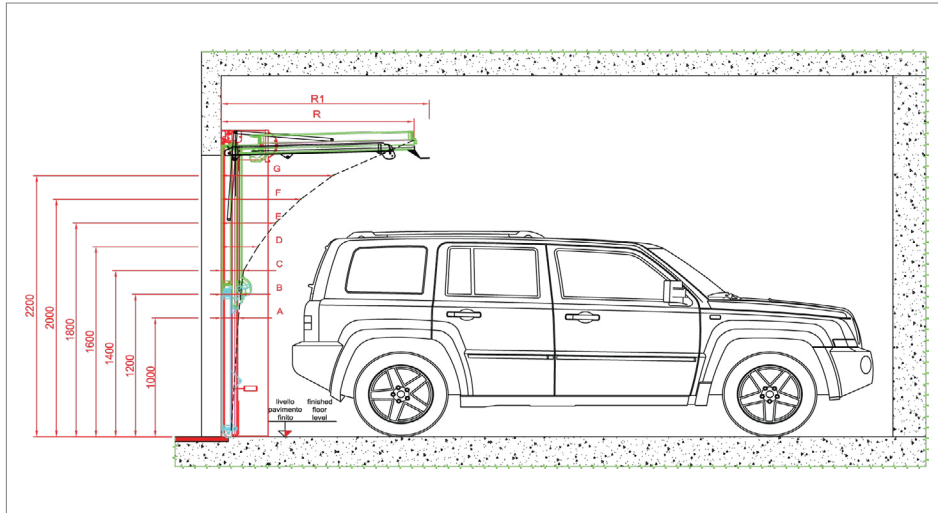
Vertical section - detail



IT'S SHOWN ONLY BEHIND WALL INSTALLATION AS AN EXAMPLE

# OVERLAP DOOR CLEARANCE

measures in mm



OVER ALL FRAME	DOOR OPENING	A	B	C	D	E	F	G	R	R1
		1000	1200	1400	1600	1800	2000	2200		
2130	1930	149	319	487	725	725	/	/	1270	1350
2180	1880	147	300	460	685	685	/	/	1320	1400
2230	2030	145	281	432	646	646	/	/	1370	1450
2280	2080	142	261	405	606	606	/	/	1420	1500
2330	2130	140	242	377	566	566	776	/	1470	1550
2380	2180	138	227	357	536	536	741	/	1520	1600
2430	2230	137	213	338	POS	POS	706	/	1570	1650
2480	2280	135	198	318	47S	47S	670	/	1620	1700
2530	2330	133	183	298	444	444	635	896	1670	1750
2580	2380	131	170	278	412	412	603	847	1495	1575
2630	2430	130	168	272	405	405	590	820	1545	1625
2680	2480	129	16G	267	399	399	577	793	1595	1675
2730	2530	128	165	262	394	394	564	766	1645	1725
2780	2580	127	163	257	388	388	551	739	1695	17'5
2830	2630	127	162	253	383	383	539	726	1745	1825
2880	2680	126	160	249	377	377	527	714	1795	1875
2930	2730	126	159	245	372	372	514	701	1845	1925
2980	2780	125	107	241	366	366	502	688	1695	1975

Encumbrances OVERLAP Classic Box model measures in mm

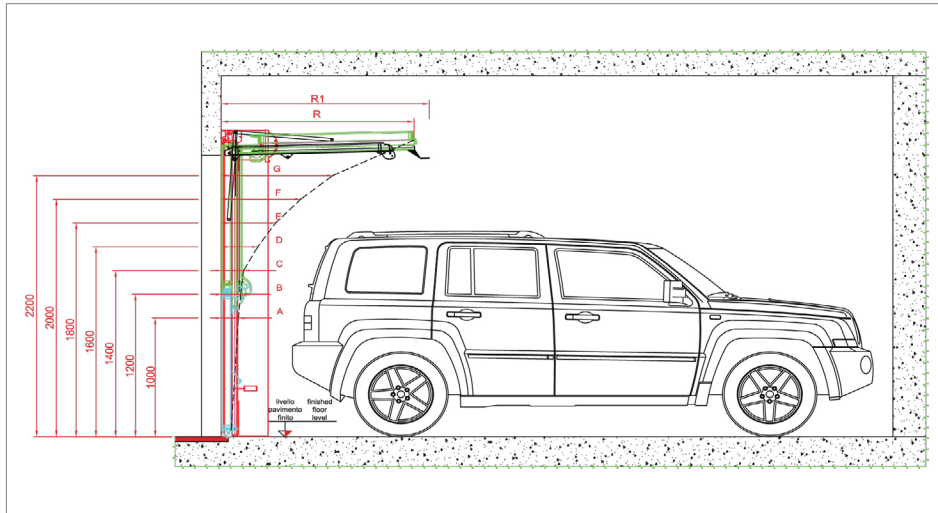
OVER ALL FRAME	DOOR OPENING	R	R1
2130	1930	1270	1350
2180	1980	1320	1400
2230	2030	1370	1450
2280	2080	1370	1450
2330	2130	1370	1450
2380	2180	1420	1500
2430	2230	1420	1500
2480	2280	1445	1525
2530	2330	1470	1550
2580	2380	1495	1575
2630	2430	1520	1600
2680	2480	1545	1625
2730	2530	1570	1650
2780	2580	1845	1925
2830	2630	1895	1975
2880	2680	1895	1975
2930	2730	1920	2000
2980	2780	1945	2025

Encumbrances OVERLAP New Plana 40mm measures in mm

OVER ALL FRAME	DOOR OPENING	R	R1
2130	1930	1270	1350
2180	1980	1320	1400
2230	2030	1370	1450
2280	2080	1370	1450
2330	2130	1370	1450
2380	2180	1420	1500
2430	2230	1420	1500
2480	2280	1445	1525
2530	2330	1470	1550
2580	2380	1495	1575
2630	2430	1520	1600
2680	2480	1545	1625
2730	2530	1570	1650
2780	2580	1695	1675
2830	2630	1745	1700
2880	2680	1795	1725
2930	2730	1845	1750
2980	2780	1895	1775

## ENCUMBRANCES OVERLAP NEW PLANA 75MM

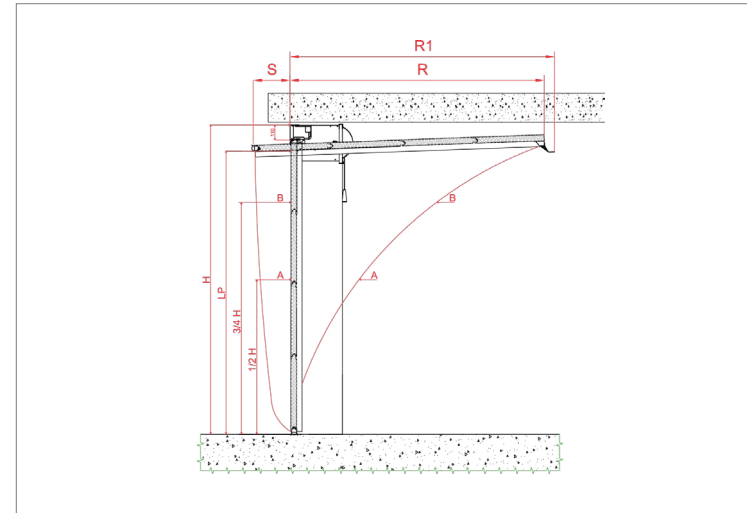
measures in mm



OVER ALL FRAME	DOOR OPENING	A	B	C	D	E	F	G	R	R1
		1000	1200	1400	1600	1800	2000	2200		
2130	1910	184	229	354	522	760	/	/	1270	1350
2180	1960	182	221	335	495	720	/	/	1320	1400
2230	2010	180	212	316	467	681	/	/	1370	1450
2280	2060	177	204	296	440	641	/	/	1370	1450
2330	2110	175	195	277	412	601	811	/	1370	1450
2380	2160	173	193	262	392	571	776	/	1420	1500
2430	2210	172	190	248	373	540	741	/	1420	1500
2480	2260	170	188	233	353	510	705	/	1445	1525
2530	2310	168	185	218	333	479	670	931	1470	1550
2580	2360	166	183	205	313	447	638	882	1495	1575
2630	2410	165	182	203	307	440	625	855	1520	1600
2680	2460	164	181	201	302	434	612	828	1545	1625
2730	2510	163	179	200	297	429	599	801	1570	1650
2780	2560	162	178	198	292	423	586	774	1595	1675
2830	2610	162	177	197	288	418	574	761	1620	1700
2880	2660	161	176	195	284	412	562	749	1645	1725
2930	2710	161	175	194	280	407	549	736	1670	1750
2980	2760	160	174	192	276	401	537	723	1695	1775

## OVERBAS DOOR CLEARANCE - PROTRUDING

measures in mm

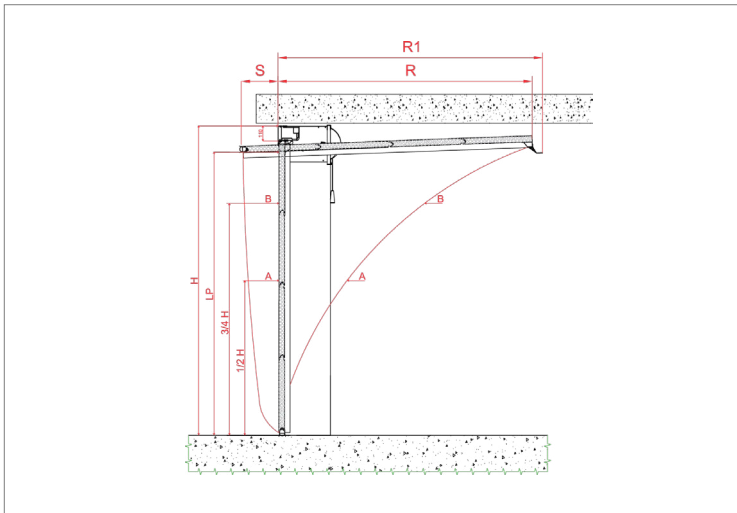


H	A-A	1/2 H	B-B	3/4 H	S	R	R1	LP*
1980	360	990	860	1480	190	1660	1740	1735
2030	360	1015	860	1520	190	1710	1790	1785
2080	360	1040	860	1560	240	1710	1790	1830
2130	360	1065	860	1600	240	1760	1840	1880
2180	360	1090	860	1630	290	1760	1840	1925
2230	360	1115	860	1670	290	1810	1890	1975
2280	360	1140	860	1710	340	1810	1890	2020
2330	360	1165	860	1750	340	1860	1940	2070
2380	360	1190	860	1790	390	1860	1940	2115
2430	360	1215	860	1820	390	1910	1990	2165
2480	360	1240	860	1860	440	1910	1990	2210
2530	360	1265	860	1900	440	1960	2040	2260
2580	360	1290	860	1940	490	1960	2040	2305
2630	360	1315	860	1970	490	2010	2090	2355
2680	360	1340	860	2010	540	2010	2090	2400
2730	360	1365	860	2050	540	2060	2140	2450
2780	360	1390	910	2090	590	2060	2140	2495
2830	360	1415	910	2120	590	2110	2190	2545
2880	360	1440	910	2160	640	2110	2190	2590
2930	360	1465	910	2200	640	2160	2240	2640
2980	360	1490	910	2230	690	2160	2240	2695

\*with pedestrian decreases door LP by 20mm

# OVERBAS DOOR CLEARANCE - NOT PROTRUDING

measures in mm



H	A-A	1/2H	B-B	3/4H	R	R1	LP*
1980	560	990	1050	1480	1930	2010	1685
2030	570	1015	1075	1520	1980	2060	1735
2080	580	1040	1100	1560	2030	2110	1785
2130	590	1065	1125	1600	2080	2160	1835
2180	600	1090	1150	1630	2130	2210	1885
2230	610	1115	1175	1670	2180	2260	1935
2280	620	1140	1200	1710	2230	2310	1985
2330	630	1165	1225	1750	2280	2360	2035
2380	640	1190	1250	1790	2330	2410	2085
2430	650	1215	1275	1820	2380	2460	2135
2480	660	1240	1300	1860	2430	2510	2185
2530	670	1265	1325	1900	2480	2560	2235
2580	680	1290	1350	1940	2530	2610	2285
2630	690	1315	1375	1970	2580	2660	2335
2680	700	1340	1330	2010	2600	2710	2385

\*with pedestrian decreases door LP by 20mm

## STANDARD FEATURES

- Frame made by 2mm thick metal sheet steel, lacquered white RAL 9016 or RAL 7016. (for doors to be installed in highly aggressive/corrosive natural environments, we recommend using the AISI 316 stainless steel frame and aluminum panels)
- Lateral double counterweight system.
- Leaf made by sandwich panels 40mm or 75mm thick with polyurethane foam, horizontally oriented and mechanically joined.
- Bottom seal in EPDM rubber with draining profile Anti-entrapment perimeter seal in EPDM rubber, water and wind proof.

## TECHNICAL SPECIFICATIONS

- Trackless garage door with door opening in 2 overlapping sections (OVERLAP) - Un and Over garage door (OVERBAS)
- Thermal transmittance of the door  $U=1,30 \text{ W/m}^2\text{K}^*$  (NEW PLANA 75mm).
- Thermal transmittance of the door  $U=1,5 \text{ W/m}^2\text{K}^*$  (CLASSIC, NEW PLANA 40mm).

\*values obtained for a door without windows and grids with behind wall installation).

Excellent performance in terms of acoustics insulation and air/water/wind resistance.

Motor OverMotion 2018 hidden inside the headbar. Receivers and remote controls are not included (optionals). In case there is not a secondary access to the garage, it is compulsory to order a double handle.

